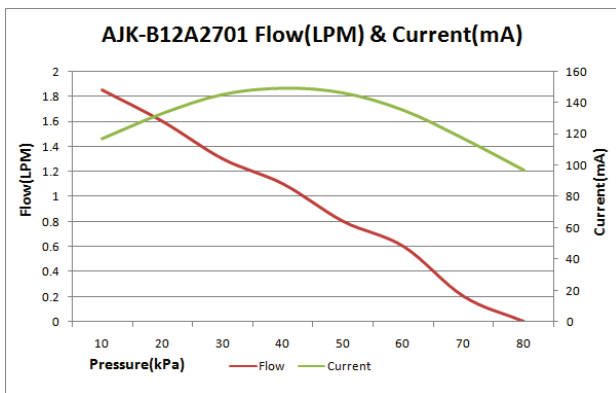
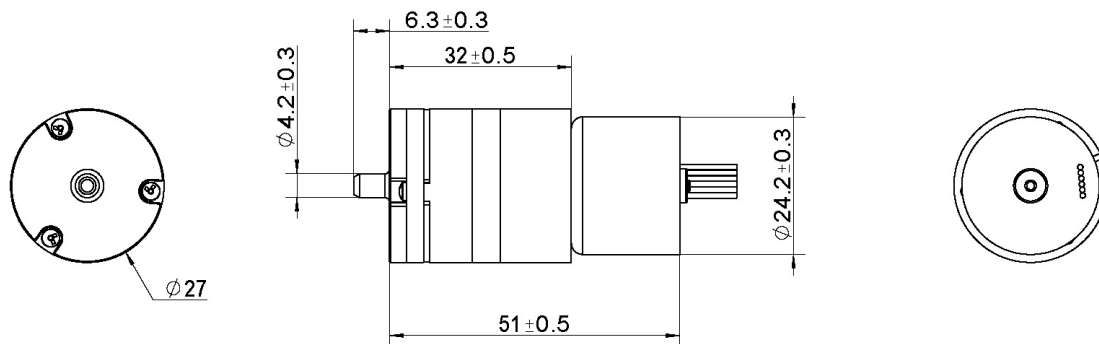


Pump

AJK-B2701-BL



Product Specification

Rated Voltage	Rated Current	Free Flow	Pressure	Noise	Load
DC 12.0 V	< 300 mA	> 2.0 LPM	> 70 KPa	< 60 dB	Air



爱家康

流体全面解决方案提供商

XIAMEN AJK TECHNOLOGY CO., LTD.

+86-0592-2610721 +86-0592-2610791 <http://www.xmajk.com>