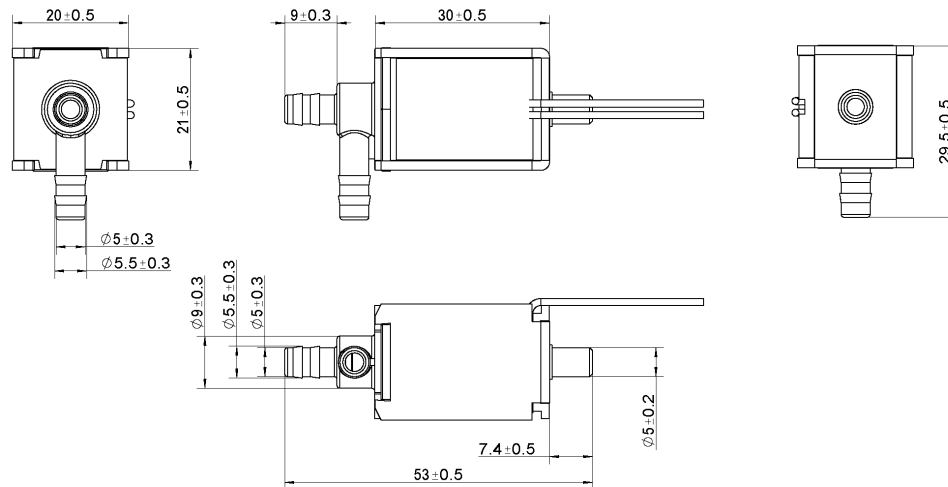
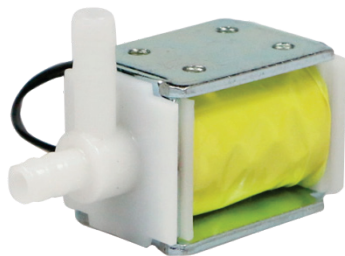


Valve

AJK-F0510



## Product Specification

Rated Voltage	Rated Current	Resistance	Operation Pressure	Exhaust Speed	Load
DC 6.0 V	375 mA	$16\Omega \pm 10\%$	-40~40 KPa	3.5s	Air / 2P3W
DC 12.0 V	185 mA	$65\Omega \pm 10\%$	-40~40 KPa	3.5s	Air / 2P3W
DC 24.0 V	120 mA	$200\Omega \pm 10\%$	-40~40 KPa	3.5s	Air / 2P3W



# 爱家康

流体全面解决方案提供商

XIAMEN AJK TECHNOLOGY CO., LTD.

+86-0592-2610721 +86-0592-2610791 <http://www.xmajk.com>