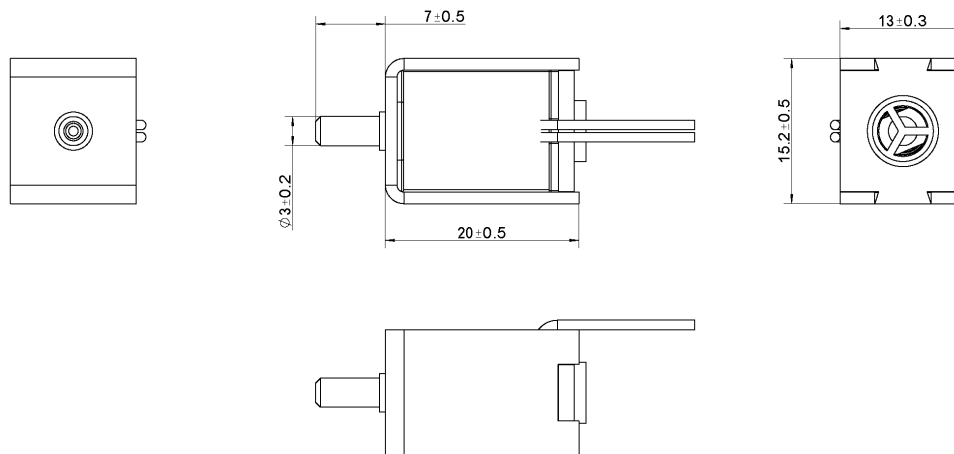
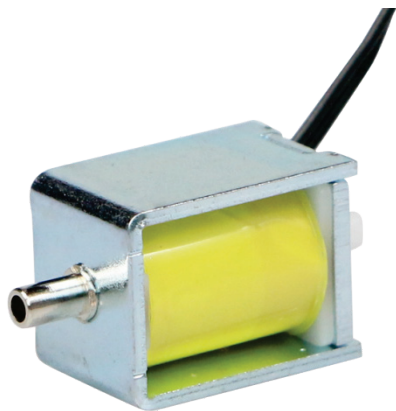


Valve

AJK-F0502



Product Specification

Rated Voltage	Rated Current	Resistance	Operation Pressure	Exhaust Speed	Load
DC 6.0 V	60 mA	$100\Omega \pm 10\%$	350 mmHg	4s	Air / NO
DC 12.0 V	45 mA	$270\Omega \pm 10\%$	350 mmHg	4s	Air / NO
DC 24.0 V	30 mA	$800\Omega \pm 10\%$	350 mmHg	4s	Air / NO



爱家康

流体全面解决方案提供商

XIAMEN AJK TECHNOLOGY CO., LTD.

+86-0592-2610721 +86-0592-2610791 <http://www.xmajk.com>