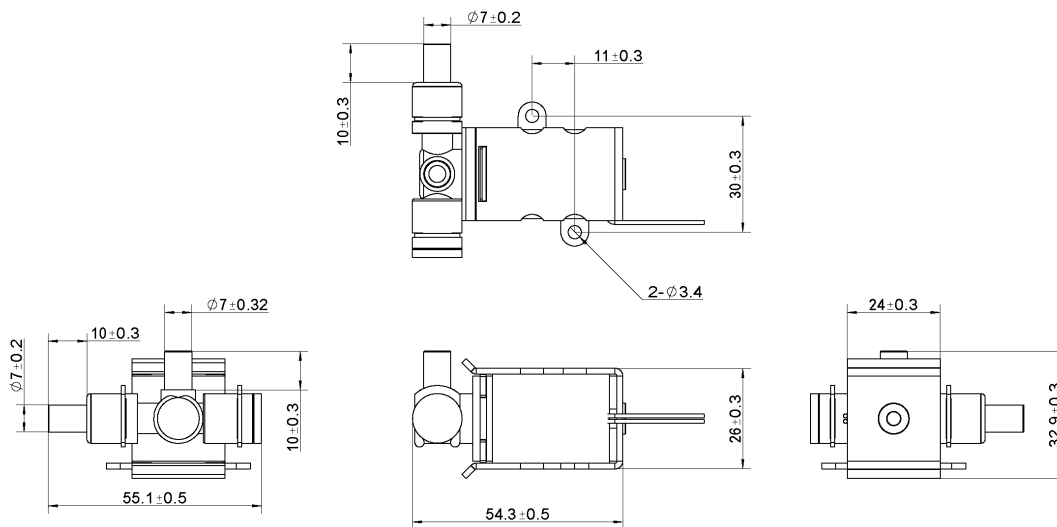


Valve

AJK-F0503



Product Specification

Rated Voltage	Rated Current	Resistance	Operation Pressure	Exhaust Speed	Load
DC 12.0 V	270 mA	$45\Omega \pm 10\%$	350 mmHg	3s	Air / 2P3W
DC 24.0 V	200 mA	$120\Omega \pm 10\%$	350 mmHg	3s	Air / 2P3W



爱家康

流体全面解决方案提供商

XIAMEN AJK TECHNOLOGY CO., LTD.

+86-0592-2610721 +86-0592-2610791 <http://www.xmajk.com>