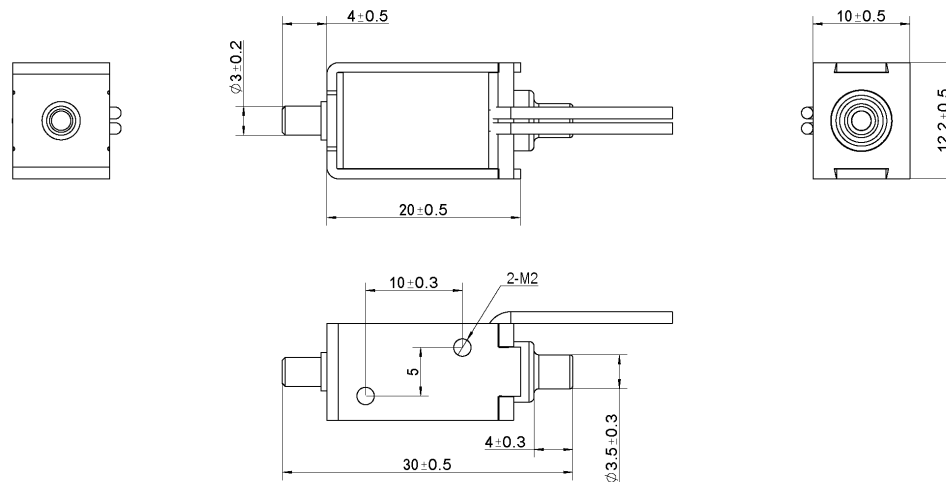
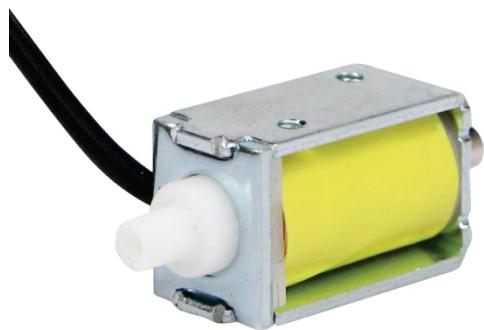


Valve

AJK-F0509



## Product Specification

Rated Voltage	Rated Current	Resistance	Operation Pressure	Exhaust Speed	Load
DC 3.0 V	500 mA	$6\Omega \pm 10\%$	-40 KPa	4s	Air / NC
DC 6.0 V	400 mA	$15\Omega \pm 10\%$	-40 KPa	4s	Air / NC



# 爱家康

流体全面解决方案提供商

XIAMEN AJK TECHNOLOGY CO., LTD.

+86-0592-2610721 +86-0592-2610791 <http://www.xmajk.com>